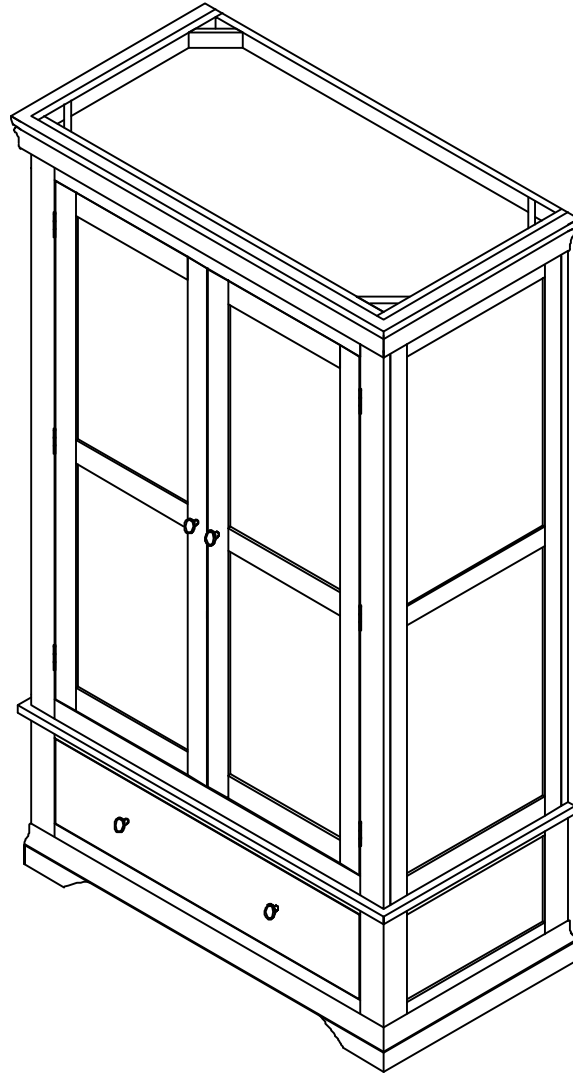


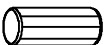

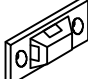






# Wardrobe Assembly Instructions

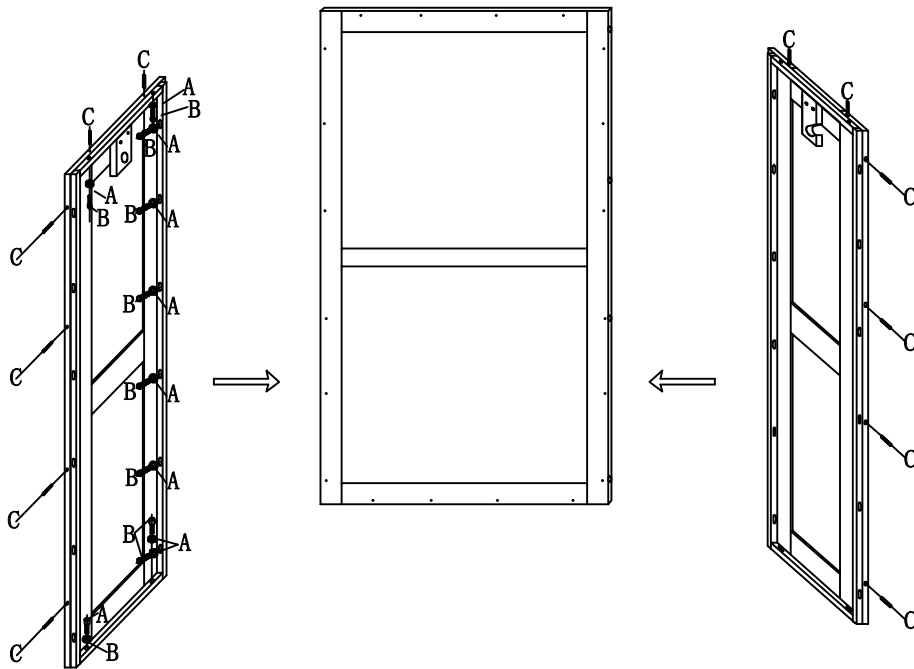


<b>A</b>		<b>48pcs</b>
<b>B</b>		<b>48pcs</b>
<b>C</b>		<b>24pcs</b>
<b>D</b>		<b>1pcs</b>

<b>a</b>		<b>2pcs</b>	<b>e</b>		<b>1pcs</b>
<b>c</b>		<b>2pcs</b>			
<b>b</b>		<b>2pcs</b>			
<b>d</b>		<b>2pcs</b>			

# Wardrobe Assembly Instructions

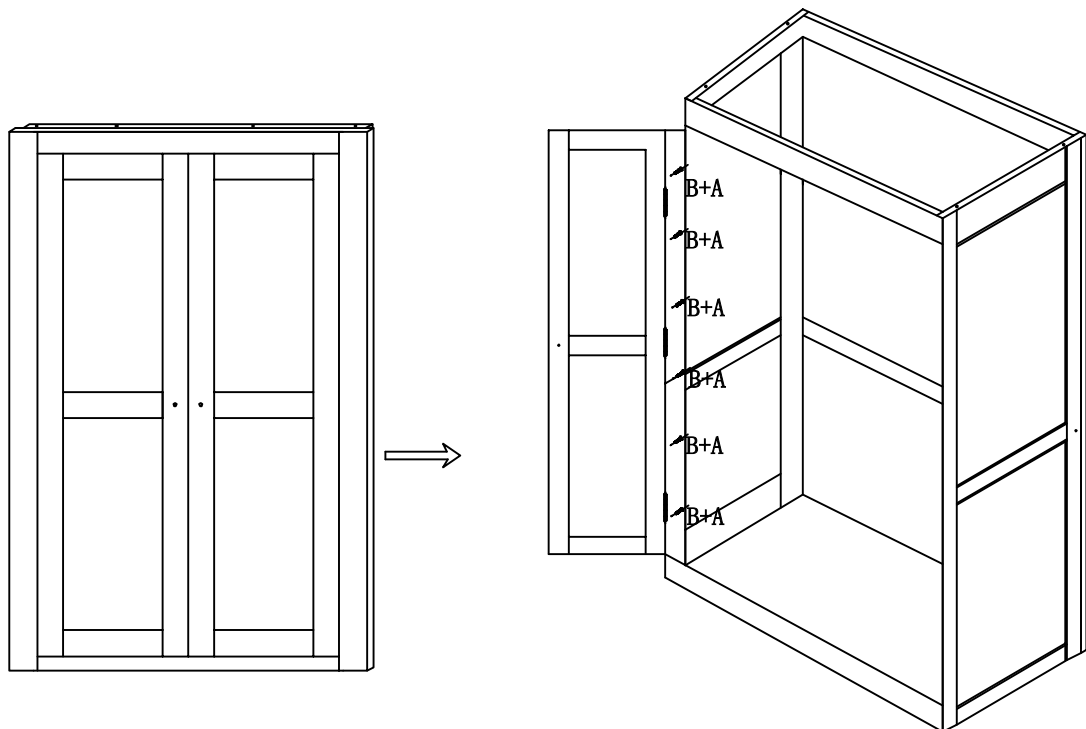
Step1



## Please Note

When screwing the bolts B into the place and tighten, but do not fully tighten at first. Please push the side panel frames a little bit to attach the back panel without gap, especially the middle parts. Then fully tighten all the bolts.

Step2

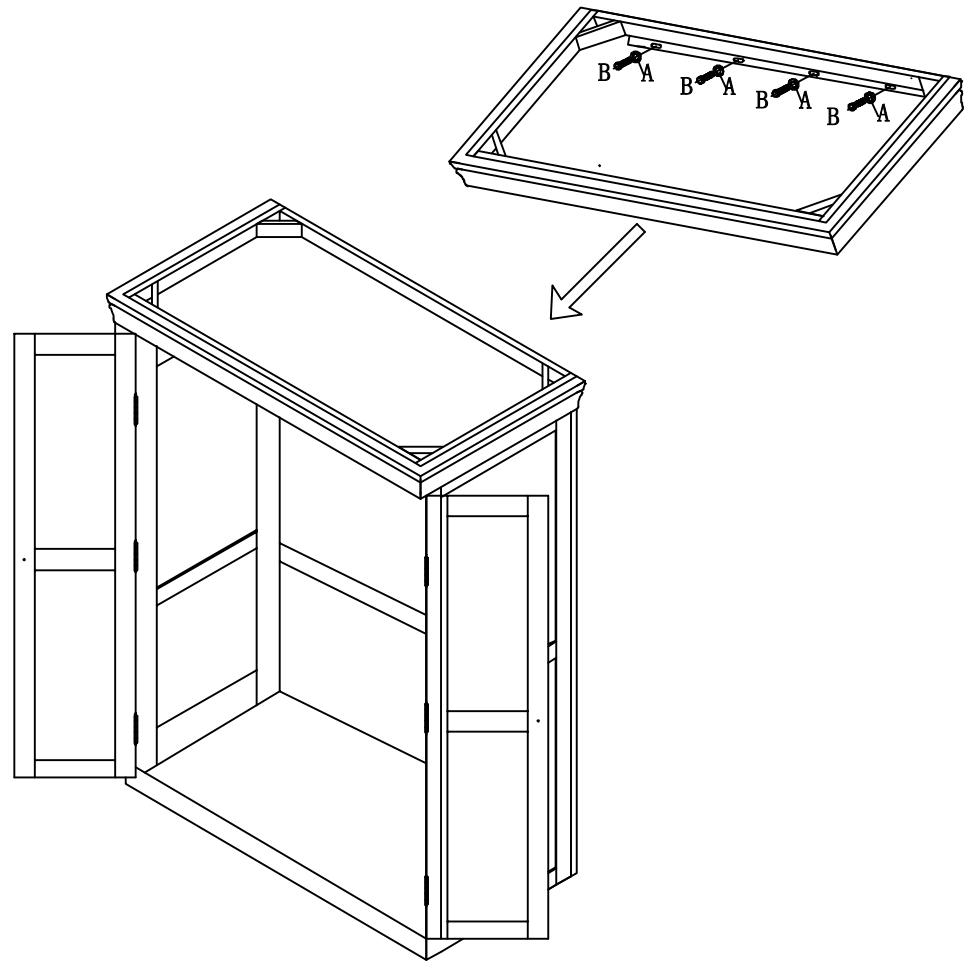


## Please Note

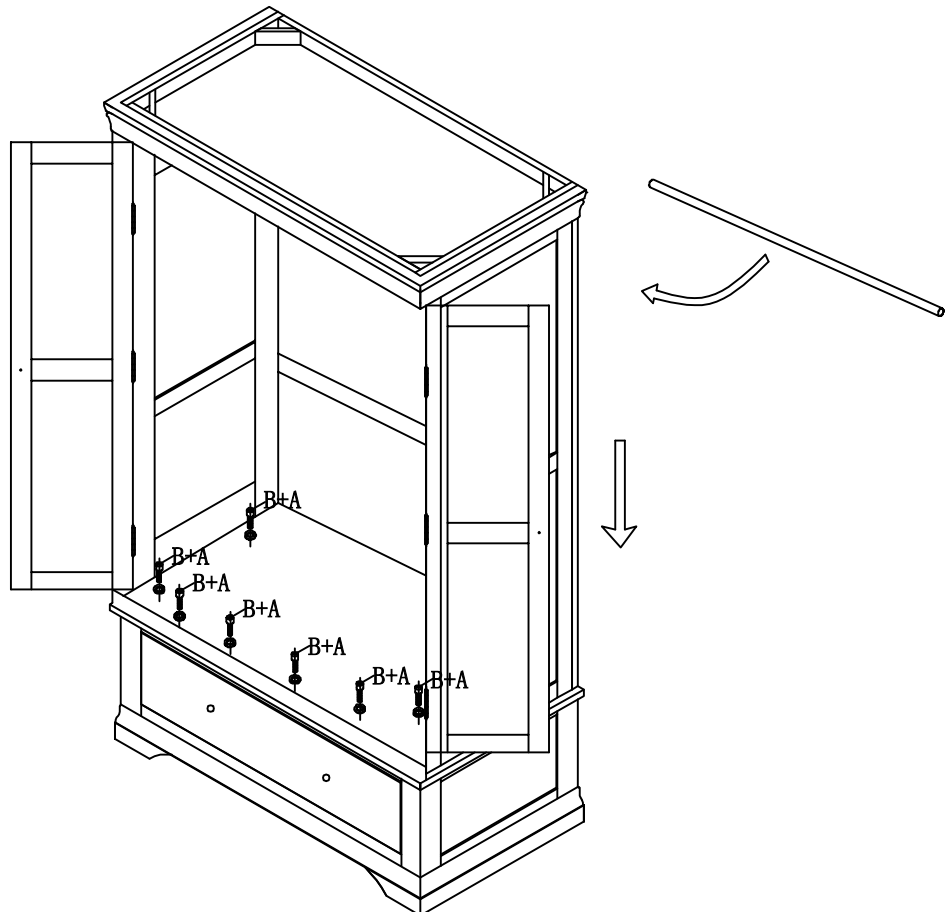
When screwing the bolts B into the place and tighten, but do not fully tighten at first. Please push the side panel frames a little bit to attach the front door frames to keep the sides flat, especially the middle parts. Then fully tighten all the bolts.

# Wardrobe Assembly Instructions

Step3

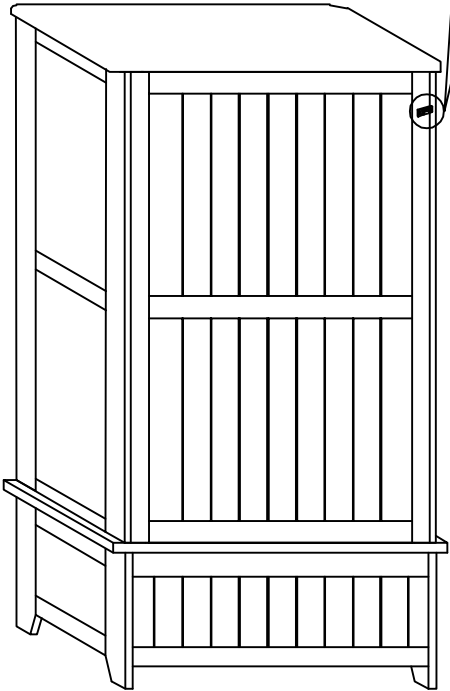
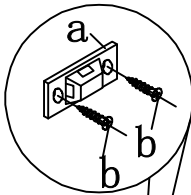


Step4



# Wardrobe Assembly Instructions

Step5



Step6

