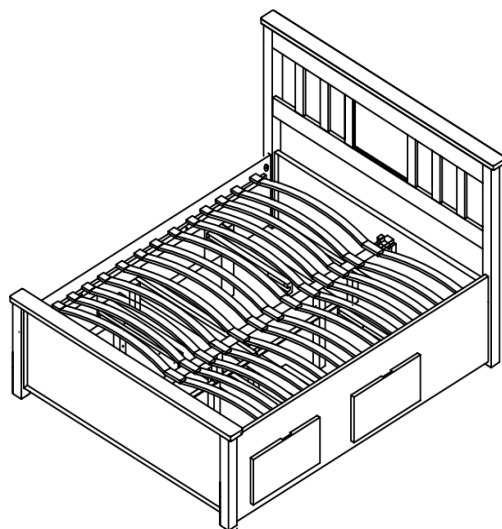


# ASSEMBLY INSTRUCTIONS

## 4ft6 - Double Storage Bed Frame



**Please read the instructions carefully before assembly or use to ensure safe and satisfactory use of this product.**

**Please note:**

1. This product takes approximately 60 minutes to assemble (2 people).
2. This product fully assembled is heavy; it should be assembled as near as possible to the desired point of use.
3. Please do not drag the bed frame, always lift and reposition with 2 people to avoid personal injury as well as damage to the product.
4. Please do not discard any of the packaging until you have checked that you have all the parts and the pack of fittings.
5. To ensure an easier assembly, we recommend that all fittings are only finger-tightened during initial assembly. Only upon completion of assembly should all fixing points be fully tightened.
6. Periodically check all screws and fixings to ensure they are secure.
7. You will require a crosshead screwdriver.
8. Please do not jump on this bed frame.
9. The fittings pack contains small parts, which should be kept away from children.

We hope you are delighted with your purchase, however if you have any further queries or concerns, or in the unlikely event that this product has missing or damaged parts, please contact our team with supporting images wherever possible, and keep hold of all original packaging. Please do not contact your courier for any queries regarding this product.

## Boxes

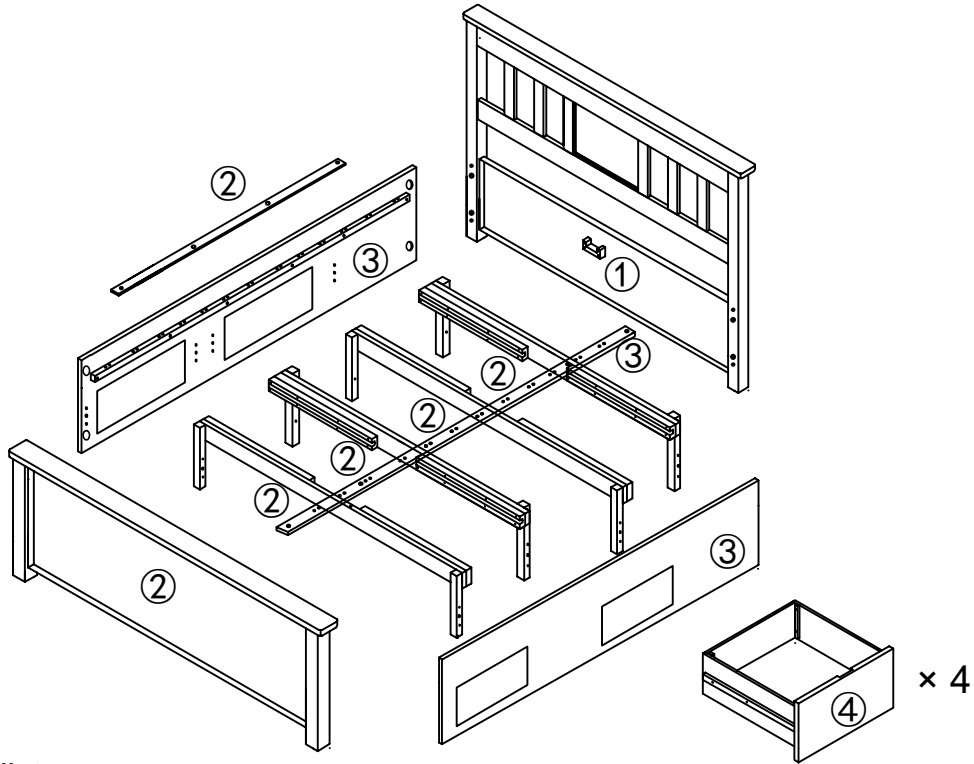
1 of 5 - Headboard

2 of 5 - Footboard, Vertical Support Bar, Horizontal Support Rails, Fittings Pack


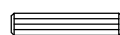


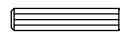








3 of 5 - Side Rails, Centre Rail

4 of 5 - Drawers

5 of 5 - Slats

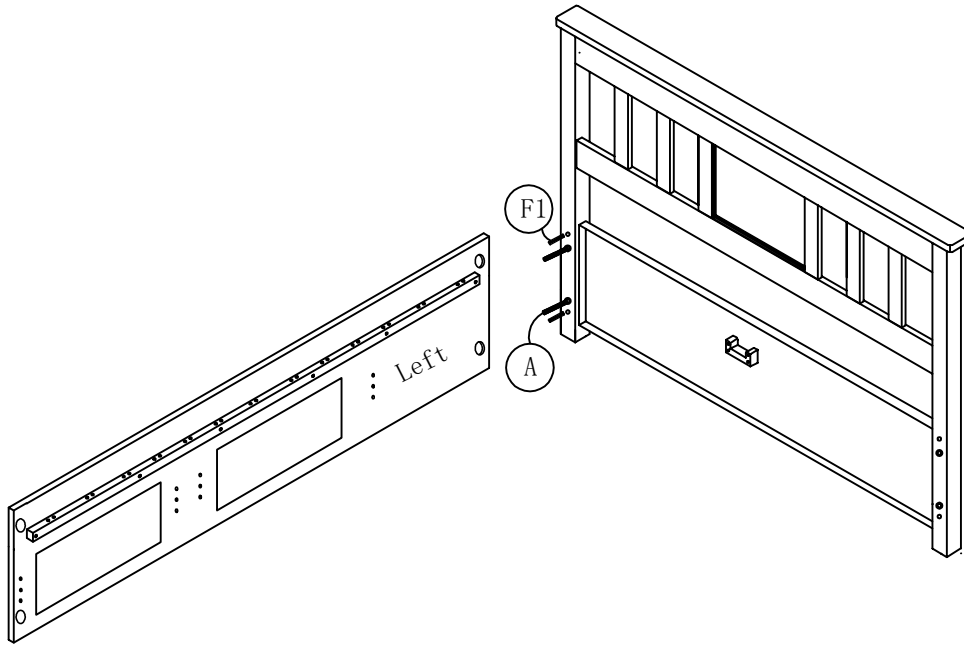


## Fittings Checklist

<p><b>A</b>  Bolt M8 x 80mm x 8 pcs</p>	<p><b>F1</b>  Wooden Dowel Ø10 x 40mm x 8 pcs</p>	<p><b>J</b>  Sprung Slat Caps Side x 36 pcs</p>
<p><b>B</b>  Half Moon Washer M8 x 30 x 15 x 8 pcs</p>	<p><b>F2</b>  Wooden Dowel Ø8 x 40mm x 52 pcs</p>	<p><b>K</b>  Sprung Slat Caps Middle x 18 pcs</p>
<p><b>C</b>  Flat Washer M8 x 8 pcs</p>	<p><b>G</b>  Bolt M8 x 40mm x 14 pcs</p>	<p><b>L</b>  Sprung Slats 36 pcs</p>
<p><b>D</b>  Hex Nut M8 x 8 pcs</p>	<p><b>H</b>  Allen Key M5 x 1 pc</p>	
<p><b>E</b>  Spanner 14# x 1 pc</p>	<p><b>I</b>  CSK Screw M4 x 25mm x 34 pcs</p>	

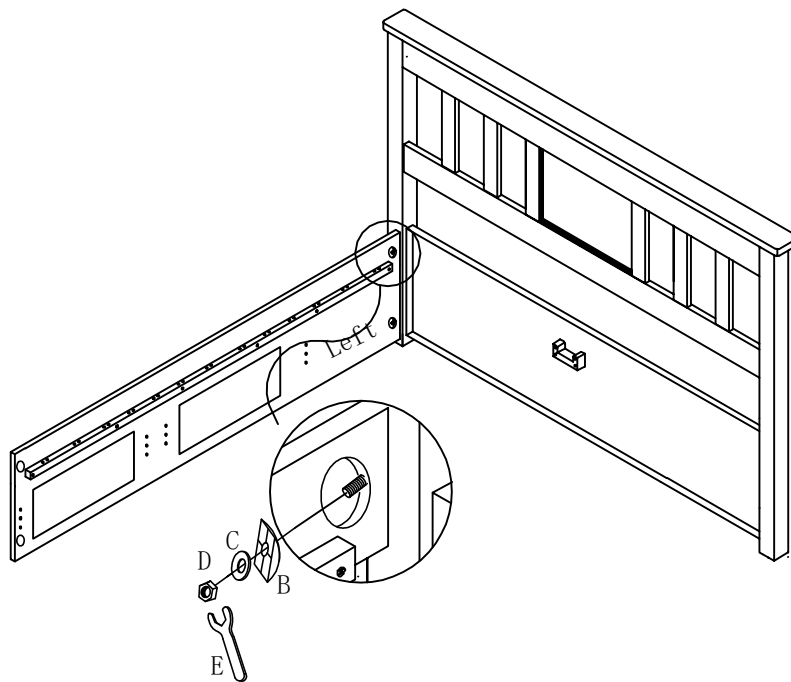
**Step 1:**

Attach the Side Rail labelled (Left) to the Headboard using Bolt (A) and Wooden Dowel (F1) as shown ensuring the pre-drilled holes on the Side Rail are facing up.



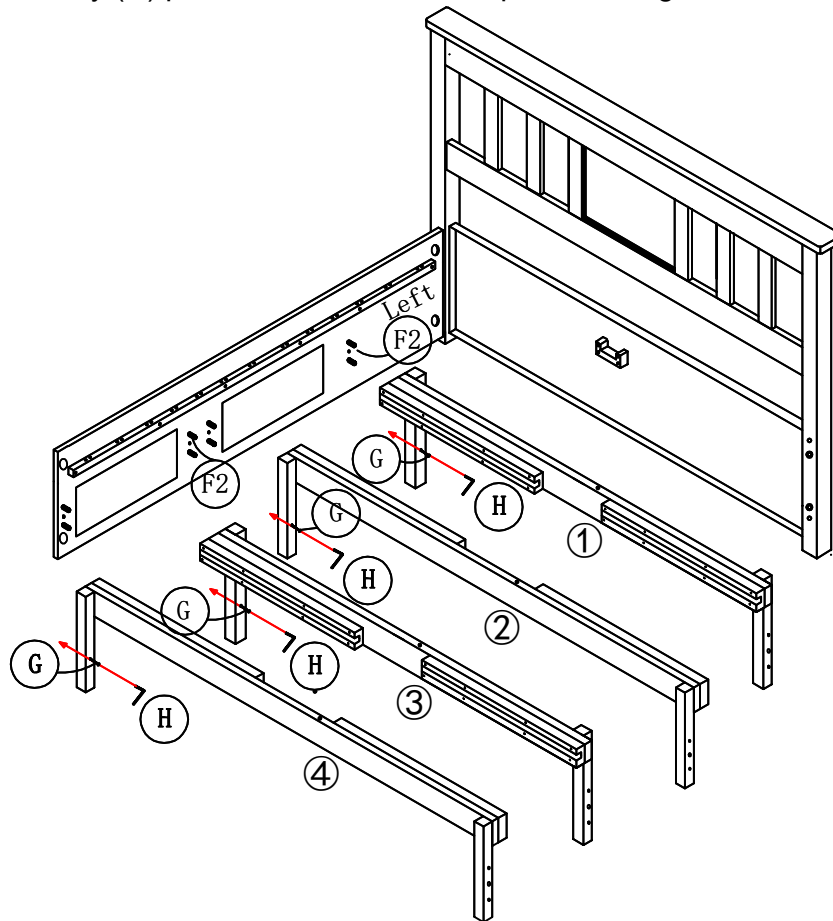
**Step 2:**

Using the Half Moon Washer (B), Flat Washer (C), Hex Nut (D) and Spanner (E) please secure them into place and tighten, but do not fully tighten.



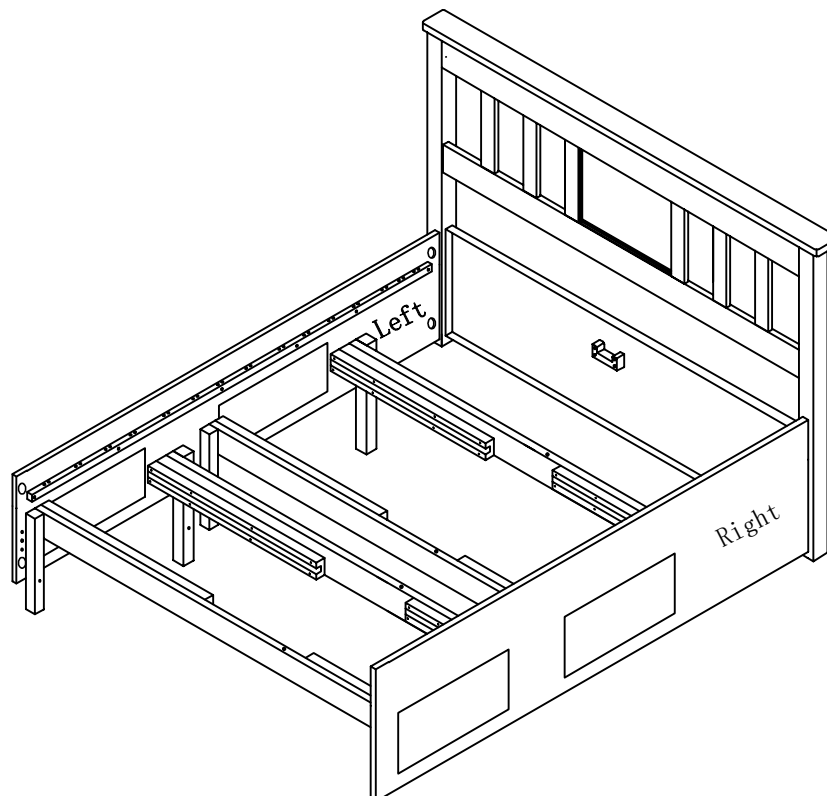
**Step 3:**

Fit Wooden Dowel (F2) into the Side Rail and attach the Horizontal Support Rail labelled 1, 2, 3 and 4 using Bolt (G) and Allen Key (H) please secure them into place and tighten, but do not fully tighten.



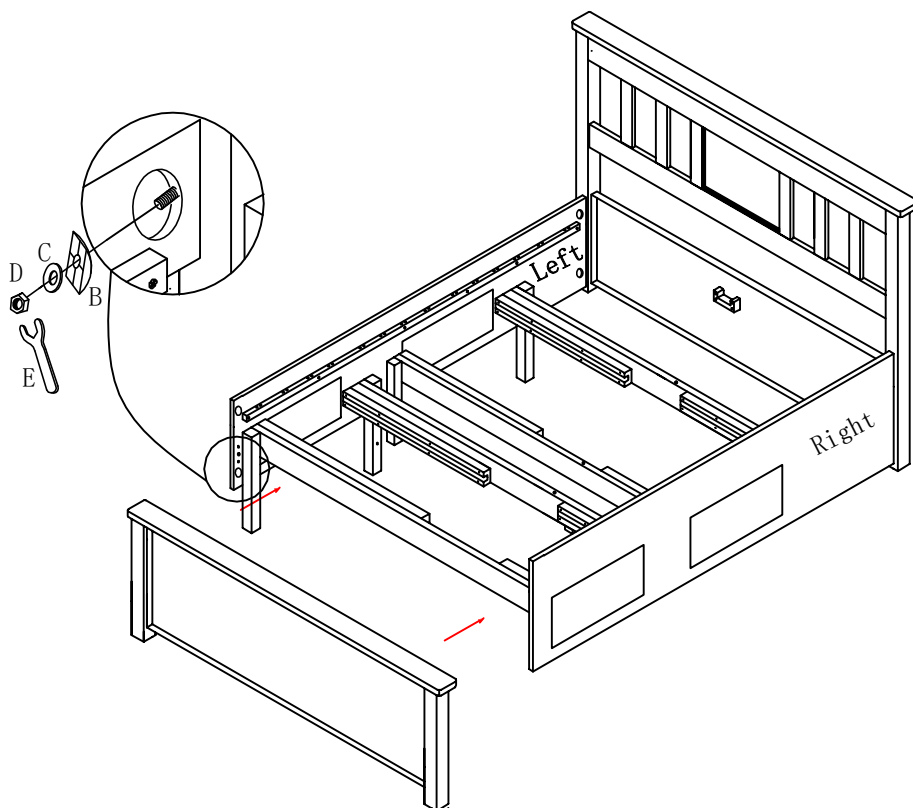
**Step 4:**

Attach the Side Rail marked (Right) to the Headboard and repeat steps 1, 2 and 3.



Step 5:

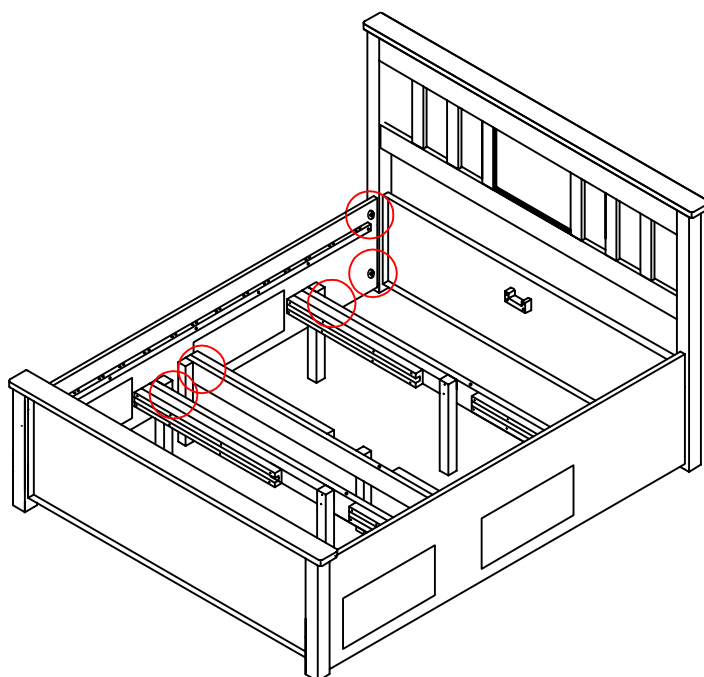
Attach the Side Rails to the Footboard using the Half Moon Washer (B), Flat Washer (C), Hex Nut (D) and Spanner (E) please secure them into place and tighten, but do not fully tighten.



Step 6:

**Please Note**

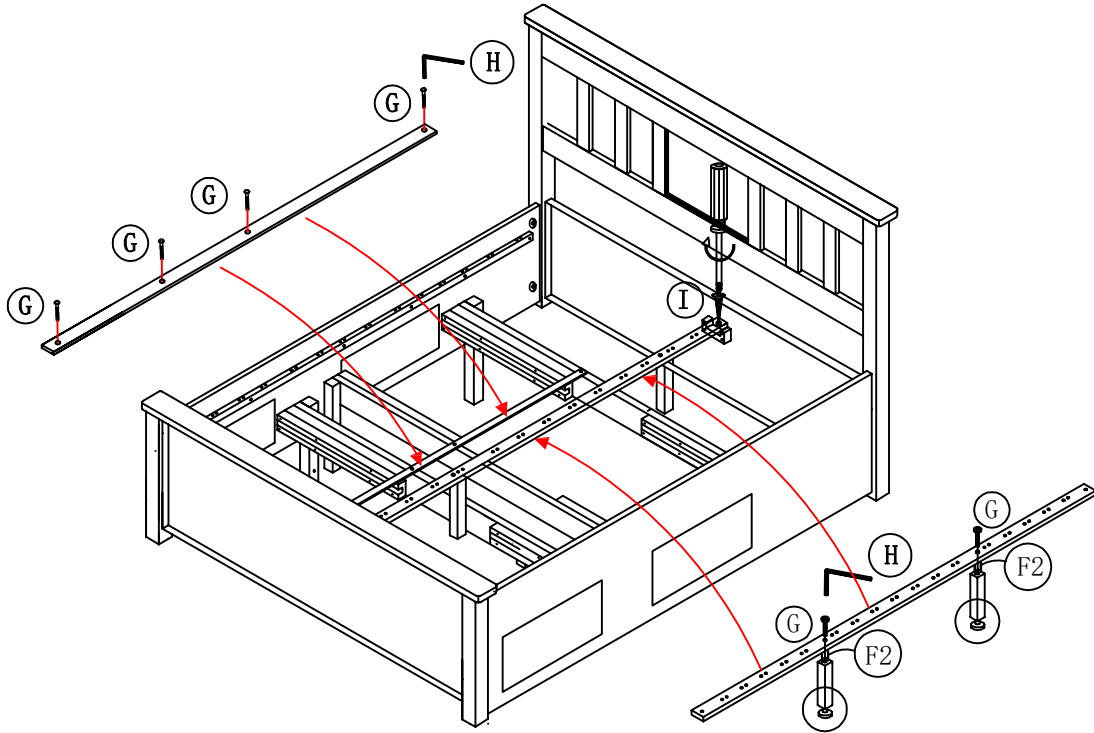
Now the frame has been built, please ensure all fixing points are fully tightened using Spanner (E) and Allen Key (H).



**Step 7:**

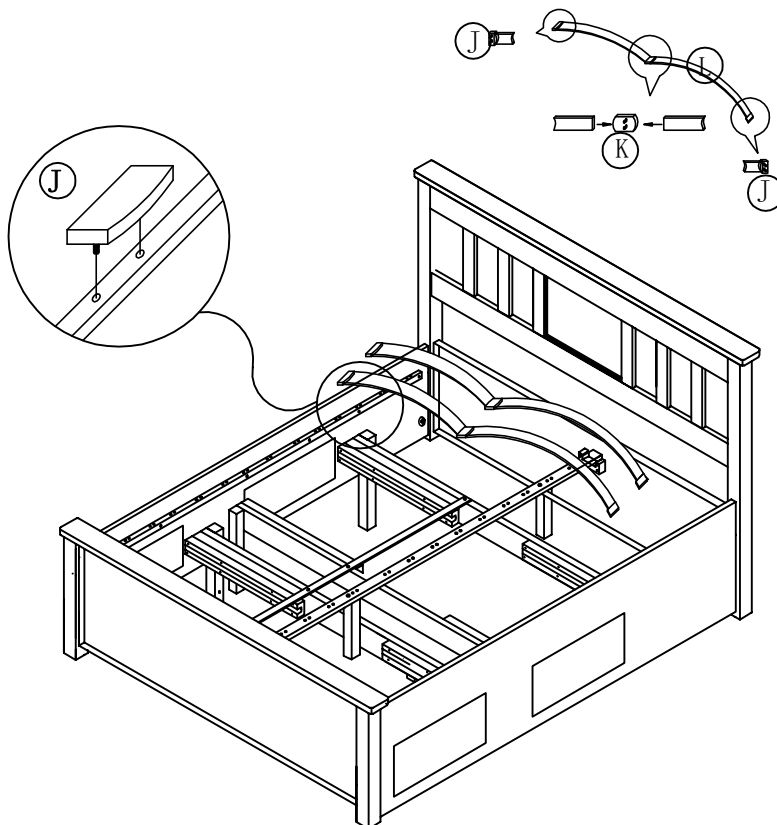
Fix the Vertical Support Bar to the Horizontal Support Rails using Bolt (G) and Allen Key (H) ensuring they are secure by fully tightening.

Attach the Support Legs to the Centre Rail using Bolt (G), Wooden Dowel (F2) and tighten securely using Allen Key (H). Place the Centre Rail onto the Central Wooden Support on the Headboard and Footboard and tighten using CSK Screw (I). You will require a screwdriver.



**Step 8:**

Fit the Slat Cap (J) and (K) onto the Sprung Slat (L) and insert into the pre-drilled holes on the Side Rail and Centre Rail, please note you may need to press firmly into place.



Step 9:

Using Wooden Dowel (F2) and CSK Screw (I) please assemble the drawers as shown below, please note you will require a screwdriver.

